

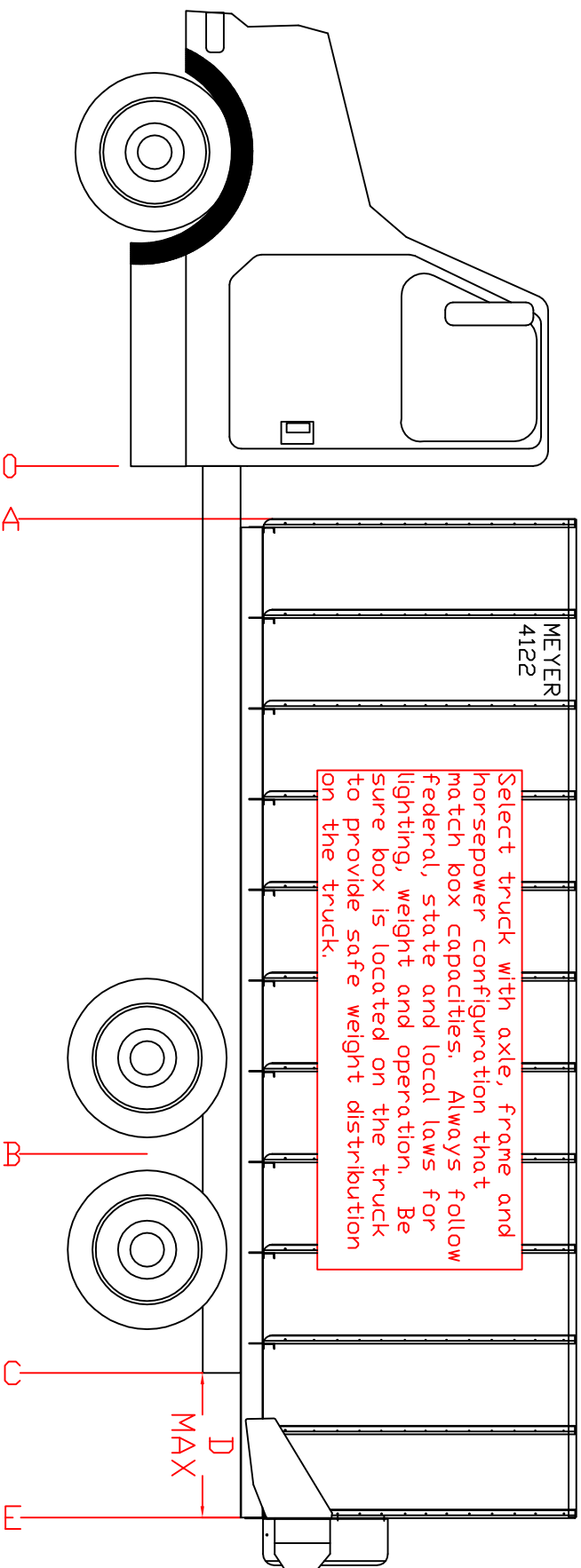
4100 REAR UNLOAD

HYDRAULIC WET KIT DR PTD PROVIDED BY CUSTOMER

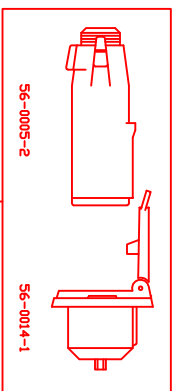
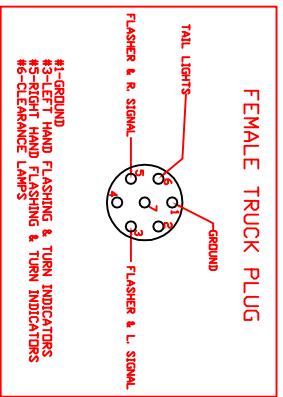
TRUCK HYDRAULIC DRIVE
 HYDRAULIC PUMP 25 GPM
 3000 PSI MAX.
 RELIEF VALVE INSTALLED, SET AT 3000 PSI
 30 GALLON RESERVOIR WITH OIL
 3/4" NPT REAR HYDRAULIC CONNECTIONS

TRUCK PTD DRIVE
 60-80% OF ENGINE SPEED
 #60 ROLLER CHAIN RECOMMENDED
 JACK SHAFT-60B16 SPRCKET
 4100 DRIVE 60B30 1-1/4" BORE, 1/4" KEYWAY

Select truck with axle, frame and horsepower configuration that match box capacities. Always follow federal, state and local laws for lighting, weight and operation. Be sure box is located on the truck to provide safe weight distribution on the truck.



SIZE	A	B	C	D	E
4116	14"	114"	168"	38"	206"
4118	14"	134"	192"	38"	230"
4120	14"	158"	216"	38"	254"
4122	14"	182"	240"	38"	278"



SUPPLY A 7-PIN MALE & FEMALE PLUG OFF THE REAR OF CAB FOR LIGHT HOOK-UP TO IMPLEMENT, LOCATED CENTRALLY BEHIND CAB, FROM MEYER ORDER 56-0005-2 & 56-0014-1.

TAILLIGHT CONVERTER
 DEPENDING ON MAKE AND MODEL OF TRUCK IT MAY BE NECESSARY TO INSTALL A LIGHT CONVERTER (MEYER PART #56-0028). CONVERTER ALLOWS SIGNAL LIGHTS AND BRAKE LIGHTS TO OPERATE ACCORDING TO DOT LIGHTING.

TOLERANCE ±.001 UNLESS OTHERWISE SPECIFIED	MEYER MFG. CORP.	
FINISH	TITLE 4100 REAR UNLOAD	
SCALE	TRUCK MOUNT DIMENSIONS	DWG. BY JAA
DATE 6/23/2009	DWG. NO. 4100 REAR UNLOAD TRUCK MOUNT	APPROVED BY