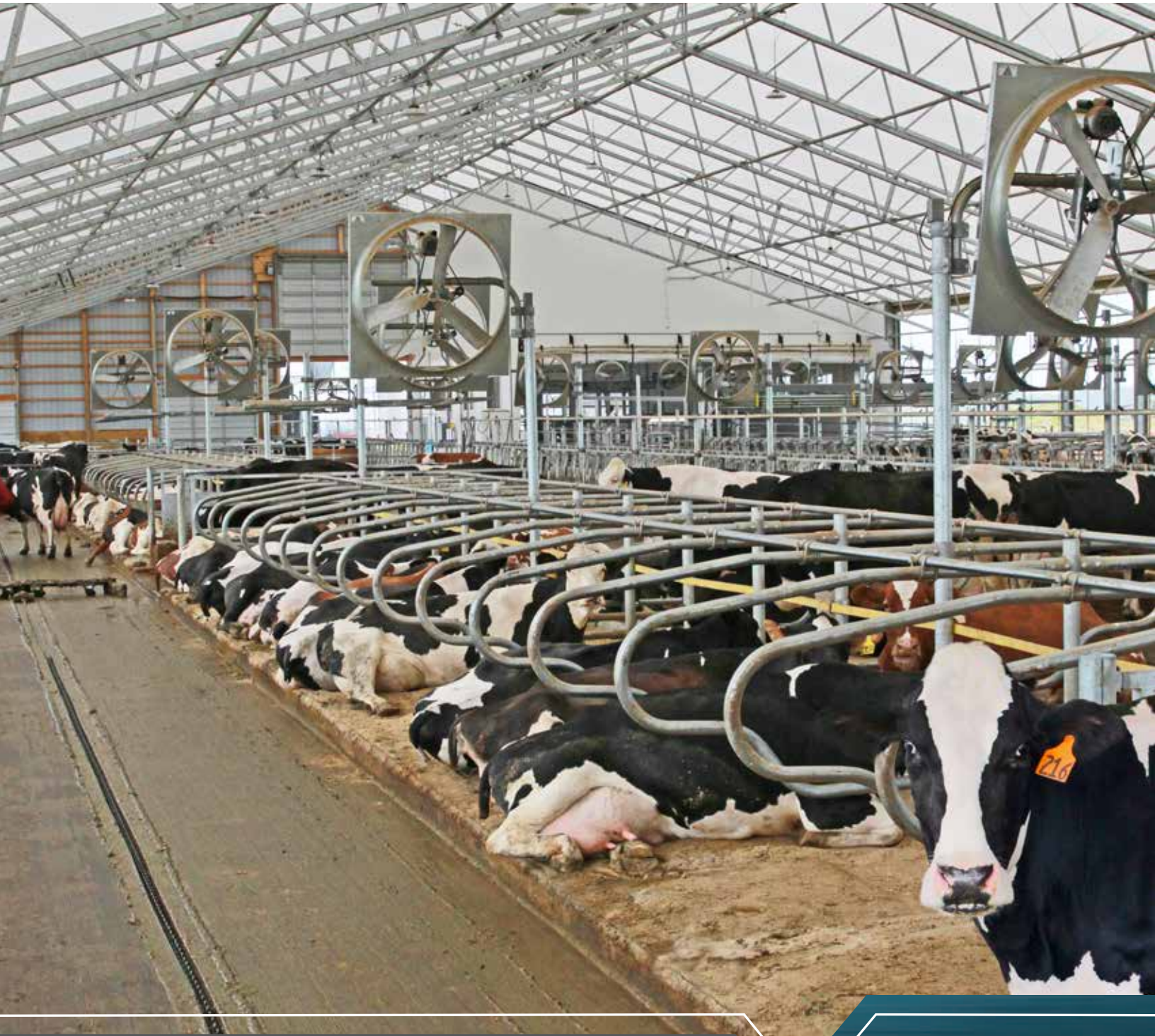




Free Stall Barn

Equipment Guide



Improve Your Dairy Production with
Durable Engineered Equipment

Free Stall



TABLE OF CONTENTS

FREE STALL SYSTEMS

- THE STURDY BUILT ADVANTAGE 3
- FREE STALL LOOP CHOICES 5
- WOOD POST MOUNTING 5
- FREEDOM SUSPENSION MTG 6 - 7
- INDIVIDUAL STEEL POST MTG 8
- CONTINUOUS RAIL MOUNTING 9
- ECO-LOOP™ FREE STALL SYSTEM 10
- LOOPS FOR YOUNGER HERDS 11
- HARDWARE AND ACCESSORIES 12-13

FLOW CONTROL FOR ROBOTIC MILKING

- ONE-WAY FLOW CONTROL GATES 14
- EQUIPMENT FOR ROBOTIC MILKING .. 15

GATES

- SPECIALIZED GATING 16
- PNEUMATIC CROSS-OVER GATES 17
- PALPATION RAIL 18
- AUTOMATIC HEADGATES 19

FEED & WATER SYSTEMS

- HEADLOCKS 20-21
- GALVANIZED FEEDING RAIL 22
- STAINLESS STEEL WATERERS 23-25

VENTILATION

- CURTAINS 26
- FANS 27

What is the ideal stall system for your new Free Stall barn or remodel? Browse this brochure for leading solutions to cow comfort!



Wood Post Mounting System (see page 5)



Freedom Suspension Mounting System (see pgs 6-7)



Individual Steel Post Mounting System (see page 8)



Continuous Rail Mounting System (see page 9)

The Sturdy Built Advantage

Innovation in Exceptional Free Stall Barn Equipment

- Precision formed loops using 2.375" OD 10 gauge high-tensile galvanized steel tubing
- EASY bolt-together installation requires no welding on job site
- Your choice of materials
 - Fabricated from tubing galvanized on both the interior and exterior; UV coating offers added protection in corrosive environments
 - Fabricated from black tubing, then hot-dipped galvanized
- Custom loop styles and lengths available



The Free Stall Barn is an important part of the modern dairy operation. Dairy cows spend the majority of their time in the free stall barn—eating, resting, and doing what cows do best: making milk.

In this Free Stall Equipment Guide from Sturdy Built, we present our line of dairy equipment solutions.

We continue to add new products and refine our equipment with two goals:

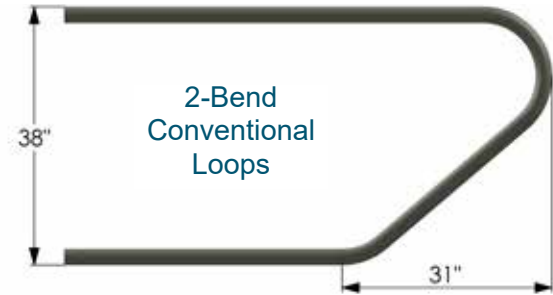
- Dairy equipment needs to stand the rigors of modern dairy farming and last for many years. High quality manufacturing materials and processes are important.
- Dairy equipment must be functional and solution-oriented for an efficient dairy operation. Cow comfort and safety are important priorities.

It is our hope that Sturdy Built equipment can improve your dairy experience, the welfare of your herd, and ultimately, your bottom line.

Free Stall Loops

1

Conventional

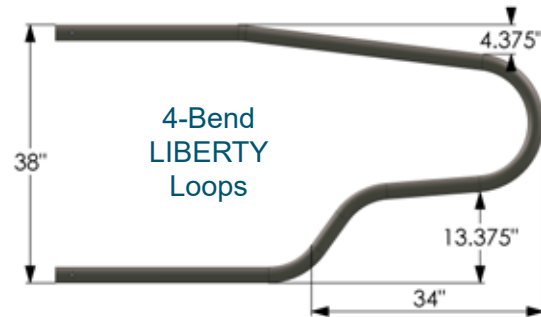


The Conventional Free Stall Loop Divider is most often used in barns for younger herds, although it is suited for any herd size.

2

LIBERTY LOOP

Designed for Cow Comfort



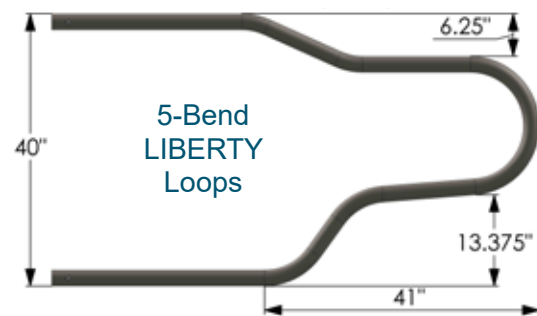
“A Unique, Ergonomic Design”

- Reduces uncomfortable pressure points while cows are resting
- Minimizes bruising when lying down or getting up

3

LIBERTY LOOP

Designed for Cow Comfort



The 5-Bend Liberty Loop has all the great features of the 4-Bend Liberty Loop and is the ideal choice for herds with larger than average cows.

4

ecc loop™



An Ergonomic Stall Divider with an Elevated Mounting System for Recycled Sand and Compost Bedding

Wood Post Mounting System



4-Bend Liberty Loops | **Wood Post Mount**

The **Wood Post Free Stall Mounting System** requires an individual wooden post for mounting each divider loop. The geo clamp securely fastens the divider loop to each wood post. This system works well for single or double free stall beds.



4-Bend Liberty Loops | **Wood Post Mount**

Mounting Hardware



**Geo Clamp
for Wood Post**

Freedom Suspension Mounting System



The **Freedom Suspension Free Stall Mounting System** is a high-strength mounting system that provides an open front with generous lunge room. Radial clamps allow for stall height adjustment. Stall width may be adjusted on the square double mounting rails.

Free Stall mounting posts are clamped onto the mounting rails. *The bottom of mounting post is elevated to keep out of the stall bedding, increasing the longevity of your free stall system.*



Mounting Hardware



Bolt-on to Wood Support Posts



Bolt-on to Wood Support Posts



Clamp-on Steel Mount

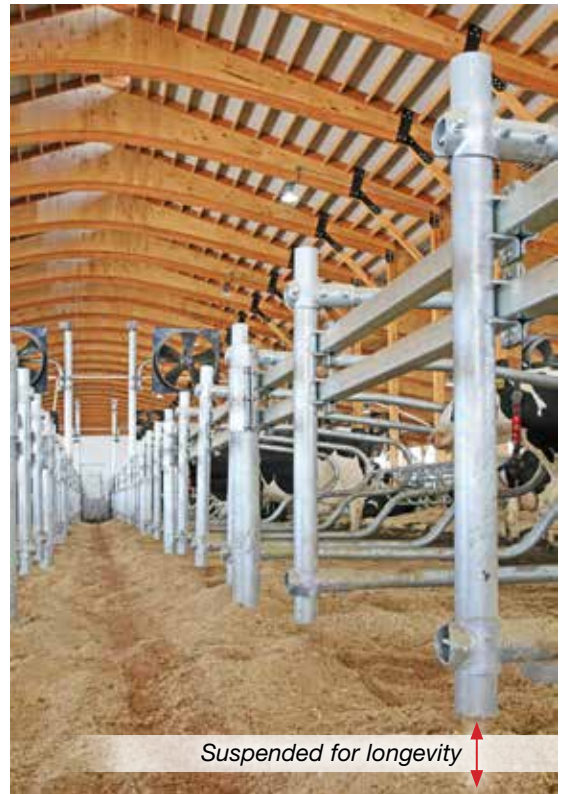
Vertical Attachment Post Assembly



4-Bend Liberty Loops | Freedom Suspension to Wood Support Posts



4-Bend Liberty Loops | Freedom Suspension to Wood Support Posts



Suspended for longevity

4-Bend Liberty Loops | Freedom Suspension Clamped to Steel Support Posts

**“A Solid Solution
in Cow Comfort”**



Individual Steel Post Mounting System



Mounting Hardware



Double Radial Clamp



Single Radial Clamp

- Hot-dipped galvanized
- Available for double and single free stall rows
- Precision formed for efficient installation and superior grip

The **Individual Steel Post Free Stall Mounting System** consists of heavywall galvanized mounting posts which are set into the concrete floor. The adjustable radial clamps are clamped on the vertical posts. The radial clamps allow for simple vertical stall height adjustment anytime. This mounting option also allows for adequate lunge room and eliminates welding on the jobsite.



4-Bend Liberty Loops | Individual Steel Post Mounting

Continuous Rail Mounting System



The **Continuous Rail Free Stall Mounting System** is a popular mounting option that also provides adequate lunge room for rising cows. The stall width is adjustable using the geo clamp that fastens securely to the double mounting rails. Ideal for heifer barns and in exterior freestall rows.



2-Bend Conventional Loops | **Continuous Rail Mounting**

Mounting Hardware



Single Geo Clamp
for single free stall rows



Double Geo Clamp
for double free stall rows



Rail Mounting Clamp
Secures continuous mounting rail to wood posts

Eco-Loop™ Free Stall System



**An Ergonomic Stall Divider
with an Elevated Mounting System
for Recycled Sand and Compost Bedding**



Multiple Eco-Loop™ Height Options

The **Sturdy Built Eco-Loop™** features all the cow comfort advantages of the Sturdy Built Liberty Loop and Freedom Rail Suspension System. It is the perfect partner for recycled sand and compost bedding.

The mounting attachments are elevated above the bedded area to extend stall life.



Adjustable Briskeet Brackets

Free Stall Loops for younger herds

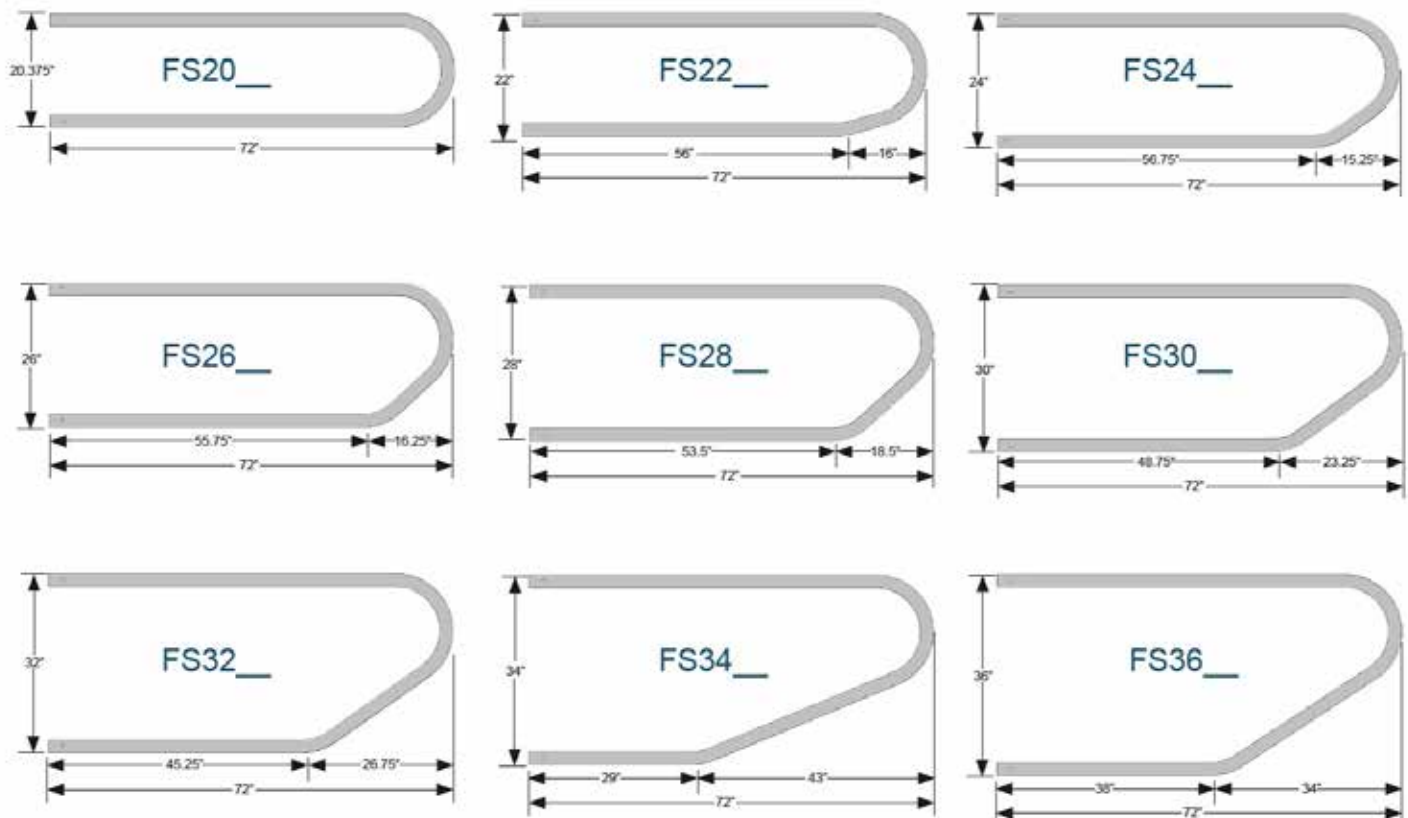


2-BEND HEIFER LOOPS

Dairy producers across the USA are seeing significant benefits in free stall barns for heifer housing. Research indicates 4-6 month old heifers adapt well to free stalls. What is the greatest advantage? Heifers learn early to use the stalls and adapt to the milking group after calving.

To meet this growing need, we offer a wide range of freestalls with many size options, both in stall height and length. Be sure to select dimensions based on the size of the heifers that will leave the group rather than the size at group entry.

Many Stall Height and Length Options, Custom Sizes Available



*6' Free Stall Loops shown. Broad selection of lengths available.

Mounting Components for Free Stalls

Neckrail

1.9" OD x 13 Gauge Galvanized.
Swaged Ends For Connection.

**4-Bolt
Neckrail Clamp**



Formed from
1/4" steel

**Standard
Neckrail Clamp**



Stops
"Walking" Neckrails

Neckrail Supports For End Of Rows



Multiple Configurations For Placement Flexibility

Brisket Locator

Establishes the forward position as cows lie on the beds. Contributes to stall cleanliness.



5" PVC Brisket Pipe
(Bell End Connections)



**Single Tab
Floor Mount Bracket**



Curb Mount Bracket
for End of Row



**Adjustable Stall
Mount Bracket**

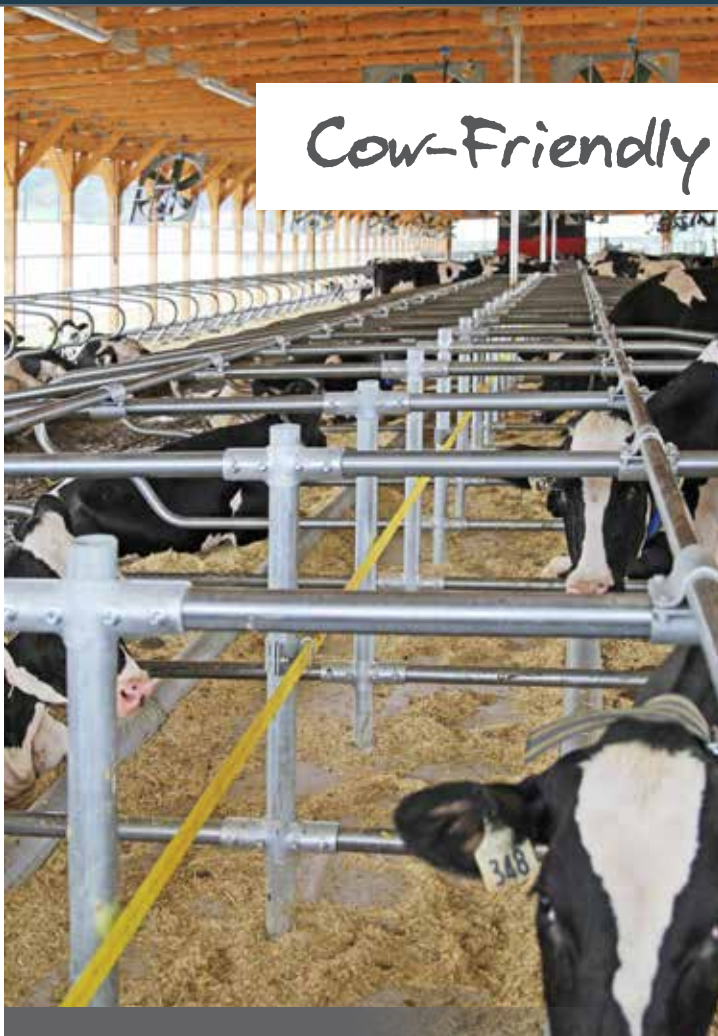


**Brisket Bracket for
Wood Plank**



**Double Tab
Floor Mount Bracket**

Cow-Friendly Restraint System



A gentle solution for head-to-head freestall rows. Prevents cows from crossing from cowbed to cowbed. Strap retainers support nylon strap.



Strap Ratchet



Strap Retainer

Stainless Steel Bedding Retainers



Sturdy Built's bedding retainers are designed to bolt to the curb and keep your bedding material where it belongs. They are fabricated from heavy gauge stainless steel for superb durability.

Cow Management for Robotic Milking



Hinging One-Way Flow Control Gate



Stationary One-Way Flow Control Gate

COW PATH
Flow Control Gate by **Sturdy Built**
Patented US 7,810,450 B2

- Curved vertical fingers signal cows to naturally lower their heads when entering
- No horizontal bars to convey restricted appearance to cows
- Boss cows cannot block flow with the vertical fingers spanning entire alleyway
- Available as stationary or hinging mount

Explore our
Robotic Milking
Brochure for
More Details!



Cow Management for Robotic Milking



Increase Flow Efficiency and Cow Comfort

- One-Way Flow Control Gates
- Horizontal Flow Control Gates
- Customized Fencing and Gating
- Pneumatic Sorting Gates
- Clean Access Man Walks



Horizontal Flow Control Gates in Hinging Framework



Customized Fencing at Robot Entrance



Clean Access Man Walks - Hinging gate with folding deck allows the manwalk to swing aside for scraping and equipment access

Specialized Gating



Counter-Balanced Pivoting Gates



Scissors Gates - fold up and out of the way!



Bird Control Gates (above)
Manure Push-off Gates (below)



Explore our
Gate & Panel
Brochure for
More Details!



Pneumatic Cross Over Gates

An innovative gate system for directing the transfer of cows across the feed lane. Remote operation allows for activation from the tractor seat or from the control located at each side of the gate.

Open position for transfer of cows



Remote Control Operation

Cross Over Gates in motion



Closed position for feeding access and cow confinement



Palpation Rail

Pneumatically Adjusted

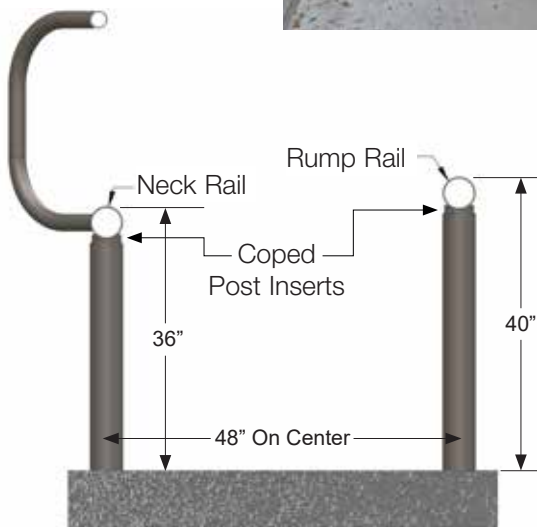


Convenient and Safe Herd Management



- Wireless remote control operation
- Rail is adjustable to accommodate various animal group sizes

Stationary System



Palpation Rail Specifications

- 4.5" OD Vertical Posts at 8' on Center
- Optional Stainless Steel Post Sleeves protect in corrosive environments
- Coped post inserts allow for on-site adjustment

Stainless Steel Post Protectors

for Galvanized Posts In Corrosive Environments



Automatic Head Gates with optional Hydraulic Sweep



Safely approach the cow from the rear



Self contained hydraulic unit with wireless remote control operation

Faster flow for hesitant cows!
Reduce Herdsman Stress and Labor

This unit is sure to make the herdsman's job go more smoothly! The rugged construction of the chute contributes to long lasting durability. The high-performance design of the hydraulic sweep assembly ensures years of reliable operation.



Automatic Head Gate



Explore our
Headgates
& Chutes
Brochure for
More Details!



Headlocks for Cows and Heifers

Signature Series



Headlock in a Gate

You and your cows will appreciate the precise, functional mechanisms of Sturdy Built headlocks. Our rugged headlocks are built to stand the wear and tear of cows at the feed bunk. The wider cow opening offers a more inviting, easier entry. Down-cow release is standard on both series.





Paragon Series
Engineered for Production Efficiency



HEADLOCK SPECIFICATIONS

(Signature & Paragon Series)

- Galvanized steel
- Square tubular frame construction
- Multiple mounting options
- Hot-dipped galvanized mounting hardware
- Easy bolt-together installation requires no welding on job site
- Locking mechanism remains motionless in unlocked position, reducing wear and noise
- Automatic down cow release in unlocked position

Slantbar Feed Through Fencing

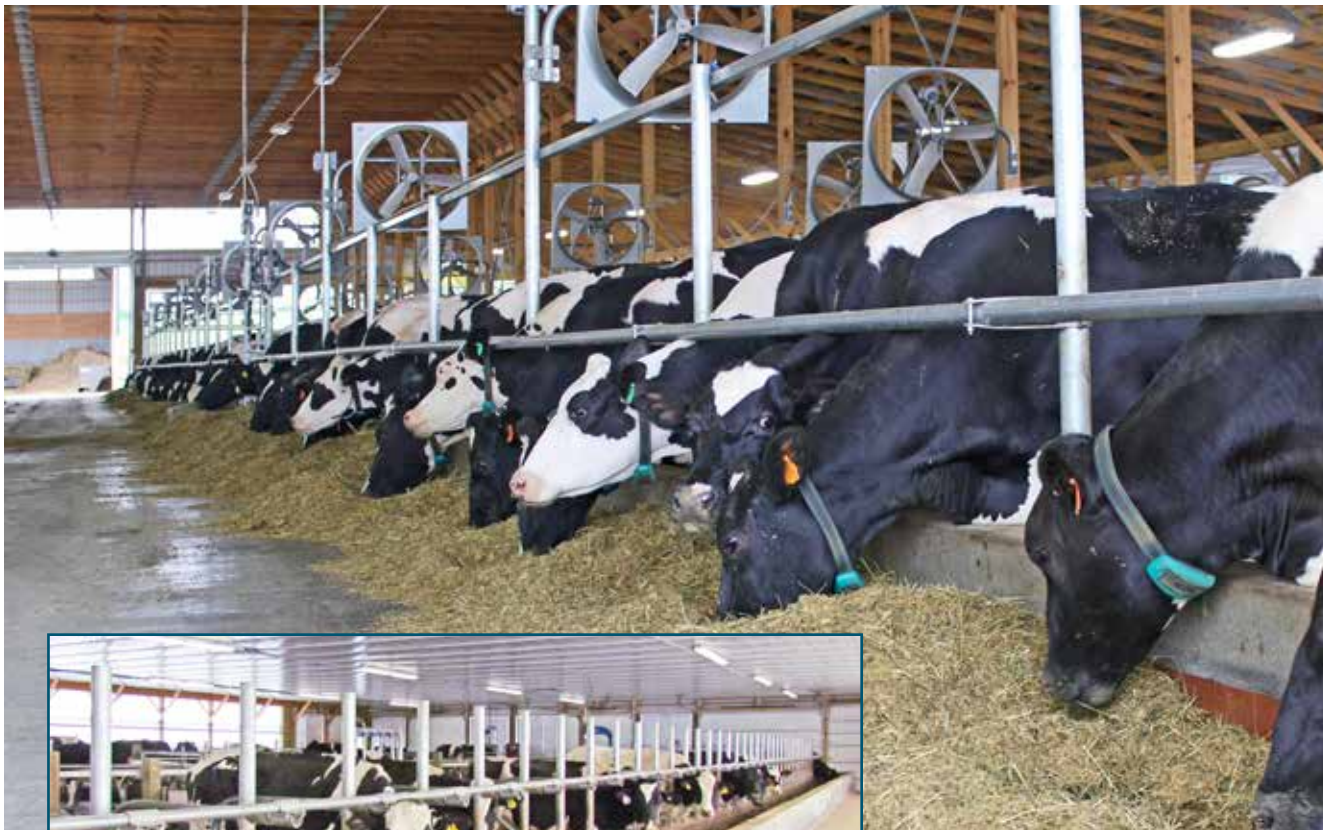


*Explore our
Feed Bunk
Brochure for
More Details!*



Galvanized Feeding Rail

Multiple
Mounting Options



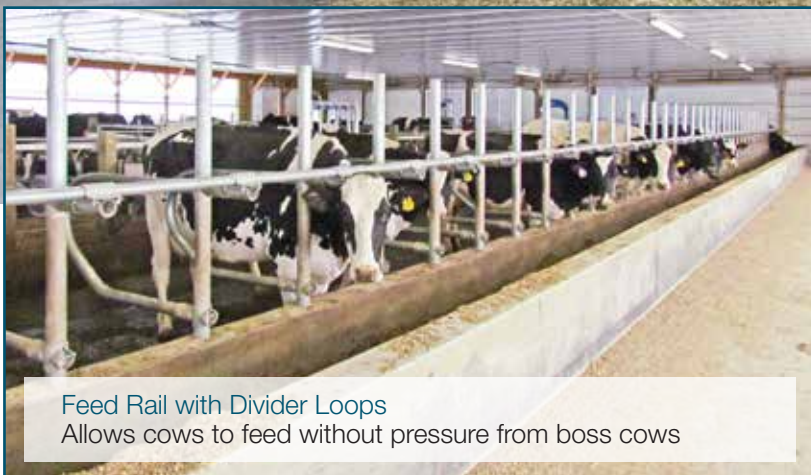
Clamp-on
for Steel Posts



Weld-on for
Steel Posts



Bolt-on for
Wood Posts



Feed Rail with Divider Loops

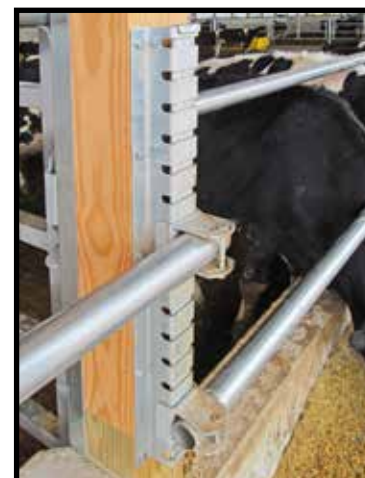
Allows cows to feed without pressure from boss cows

Standard Feed Rail Specifications

- 2.875" OD heavywall galvanized posts
- 2.375" OD x 12 gauge high tensile galvanized tubing for feed rail
- Hot-dipped galvanized mounting hardware

Adjustable Feed Rail Brackets

for added height flexibility, featuring simple adjustment. Mounts to building support posts.



Stainless Steel Rotary Flush Waterers



**FROST-FREE
INSULATED
PEDESTAL**
with Protected Plumbing



Fresh Water Supply



Hinging Lid



Overflow Drain



Float Assembly



Just tip the basin and watch the dirt disappear with a flush!

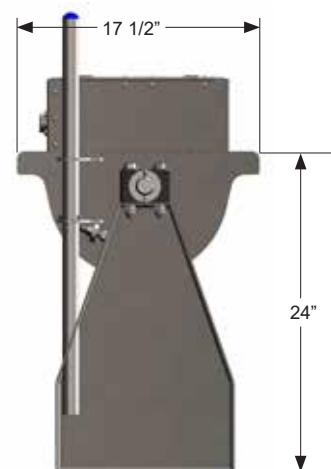
Stainless Steel Rotary Flush Waterers



*Fresh Water
Supply
You Can Depend On!*

- Two models: Standard model and the reduced capacity Junior model
- Stainless steel construction
- Smooth, round-bottom construction without corners to collect dirt
- Large poly bearing with stainless steel axle
- Hinging float cover for easy service access
- Energy efficient cold water trickle-flow freeze protection
- Electric frost protection (optional)

THE ROTARY FLUSH
WATERER Jr.
Reduced Capacity



Junior Model

Rotary Flush Waterer Capacities

Waterer Size	Overall Length	Junior Capacity	Standard Capacity
4'	55"	19 gal.	52 gal.
6'	79"	28 gal.	79 gal.
8'	103"	38 gal.	105 gal.
10'	127"	47 gal.	131 gal.
12'	151"	57 gal.	157 gal.

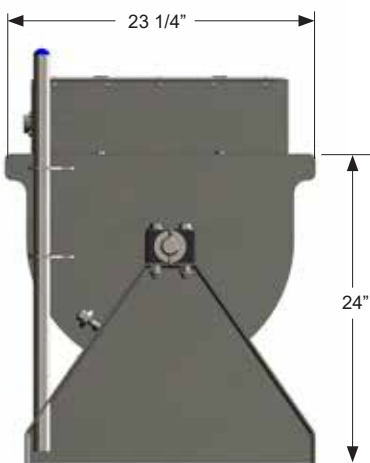


Galvanized Waterer Guards

Discourage "water throwing" and control where spills fall. Keeps feet out of the waterer.



The **ROTARY FLUSH** WATERER Standard Capacity



Standard Model



Waterer Guard over Frost-Free Rotary Flush Waterer

Curtains and Ventilation for Free Stall Barns



**Drop Curtains • Drop and Roll
Single and Double Roll-Up • Center Roll-up**



**Galvanized Welded Wire
Galvanized Curtain Doors
Motorized Curtains with Controllers**

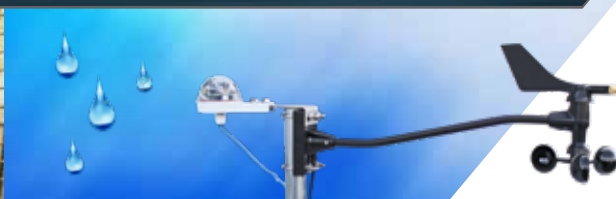


Galvanized Curtain Doors



*Explore our
Ag Curtain Systems
Brochure for
More Details!*





Environ-Tech

Automation by Sturdy Built Mfg.

MONITOR & CONTROL

- Temperature
- Wind Speed
- Rain
- Tunnel Fans
- Curtains
- Overhead Fans
- Sprinklers
- Lighting

Fans and Brackets

"Made in America"
Quality



Tunnel Fans



Fan Mounting Bracket with Three-Axis Adjustment available for I-Beams, Round Posts, and Wooden Posts



Circulating Fans with Cast Aluminum Blades

Sturdy Built offers a line of high quality fans for free stall barns with special mounting brackets to help you deliver fresh air to your cows in the heat of warmer weather. The moving air transfers the heat from the dairy cows, improving summertime production.



See all of our Equipment Guides for more Sturdy Built Galvanized Dairy Solutions!

Calf Nurseries • Free Stalls • Gates & Fencing • Headlocks • Tie Stalls • Curtain Systems



260 S. Muddy Creek Road, Denver, PA 17517
Toll Free: 866-543-5116 • Phone: 717-335-3030
Fax: 717-335-3020 • info@sturdybuiltmfg.net

Dealer: